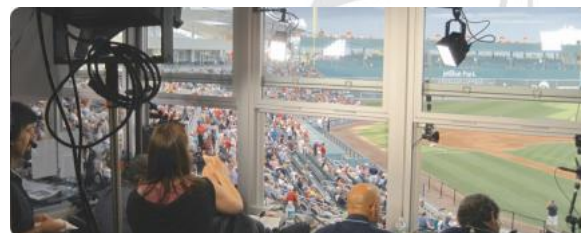




- Double the output of similar LED fixtures
- Very long throw (100+ feet)
- On-board dimmer
- Instant on
- Available in daylight or tungsten
- Color accurate from fixture to fixture
- Stable color through entire dim range
- Emits no UV or IR
- Long-life LEDs (20,000+ hours)
- 90V-240V AC input
- Draws 1/2 amp@120V, 1/4 amp@240V
- DMX controllable
- Two year limited warranty
- Patented design
- ETL & CE compliant



The NH is the light you need in place of those hot and hungry 200W HMIs or 350W tungsten fixtures. Add the flexibility of the Nila lens system and optional accessories like Chimera adapters and barn doors and you have a fixture that's capable of being both a studio stalwart and a real workhorse in the field.

*"Nila fixtures went up against our HMIs and performed very well. The HMI rig needed four guys all day to deal with light level changes. I was by myself with a one-on-five location. Nila's lensing system has proven to be a Godsend."*

Jabez Maurer - CNN Lighting Director



**NILA**

**ENVIRONMENTALLY  
SUSTAINABLE  
LED LIGHTING**

## ACCESSORIES



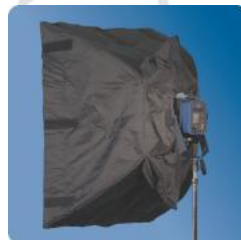
Lenses



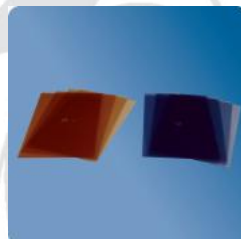
Barn Doors



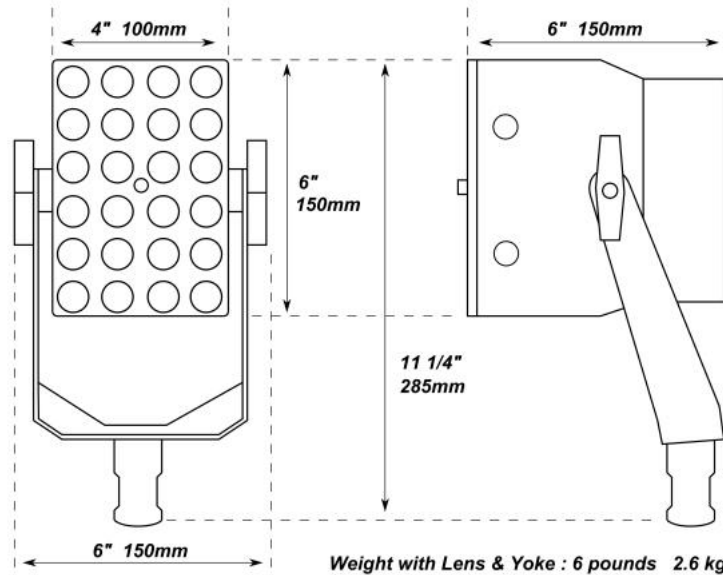
Egg Crates



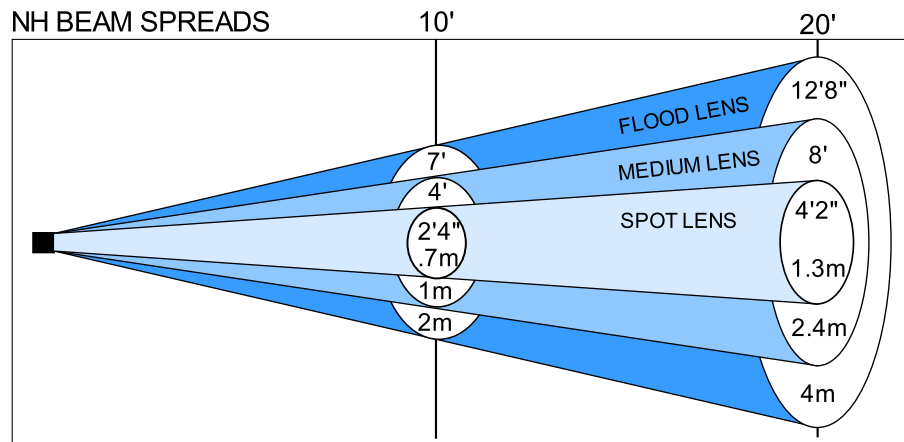
Chimera



Hard Gels



## NH BEAM SPREADS



| NH DAYLIGHT | LENS              | SPREAD  | Distance |          |          | Lux   |      |     |
|-------------|-------------------|---------|----------|----------|----------|-------|------|-----|
|             |                   |         | 3' (FC)  | 10' (FC) | 20' (FC) | 1m    | 3m   | 6m  |
|             | No Lens           | 120°    | 240      | 16       | 4        | 2600  | 170  | 43  |
|             | Spot              | 10°     | 3800     | 340      | 80       | 44000 | 3600 | 840 |
|             | Medium            | 25°     | 1300     | 97       | 25       | 15000 | 1000 | 260 |
|             | Flood             | 45°     | 670      | 45       | 11       | 7000  | 500  | 120 |
|             | Elliptical Horiz. | 45°x10° | 1400     | 97       | 28       | 16000 | 1000 | 300 |
|             | Elliptical Vert.  | 10°x45° | 1400     | 97       | 28       | 16000 | 1000 | 300 |

| NH TUNGSTEN | LENS              | SPREAD  | Distance |          |          | Lux   |      |     |
|-------------|-------------------|---------|----------|----------|----------|-------|------|-----|
|             |                   |         | 3' (FC)  | 10' (FC) | 20' (FC) | 1m    | 3m   | 6m  |
|             | No Lens           | 120°    | 140      | 13       | 3.2      | 1500  | 140  | 35  |
|             | Spot              | 10°     | 1800     | 190      | 50       | 19000 | 2000 | 520 |
|             | Medium            | 25°     | 670      | 70       | 17       | 7000  | 740  | 180 |
|             | Flood             | 45°     | 320      | 30       | 8        | 3400  | 320  | 86  |
|             | Elliptical Horiz. | 45°x10° | 700      | 80       | 20       | 8000  | 840  | 210 |
|             | Elliptical Vert.  | 10°x45° | 700      | 80       | 20       | 8000  | 840  | 210 |

ENVIRONMENTALLY  
SUSTAINABLE  
LED LIGHTING

